

BRITANNIA

Premier Cartridge Operated Extinguisher BAF9 – AFFF foam



**AWAITING
PHOTOGRAPH**

The Aqueous Film Forming Foam (AFFF) additive is a blend of perfluorinated and hydrocarbon surfactants. It enables the formation of an aqueous film capable of spreading on the surface of burning fuels, which prevents vapour production and seals the surface from oxygen.

AFFF will extinguish class A (carbonaceous) fires and class B (flammable liquid) fires.

key points

- Approved and certified to BS EN3
- Kitemarked product
- CE marked in accordance with the PED
- Diecast zinc colour coded headcap
- Manufactured in Great Britain
- Large neck ring enables servicing and refilling to be conducted with ease
- Reliability
- Designed for long service in harsh conditions

Technical Specification

Model	Capacity (litres)	Fire rating	Full Weight (Kgs)	Temp Range	Operating pressure (Bar) @ 20°C	Discharge Duration (Secs)	Discharge Range (M)	Diameter (mm)	Height (mm)
BAF9	9	13A/183B	15.7	+5°C to +60°C	12	49	4	190	570

Britannia Fire reserve the right to alter the specification of the product without prior notice



www.Britannia-Fire.co.uk

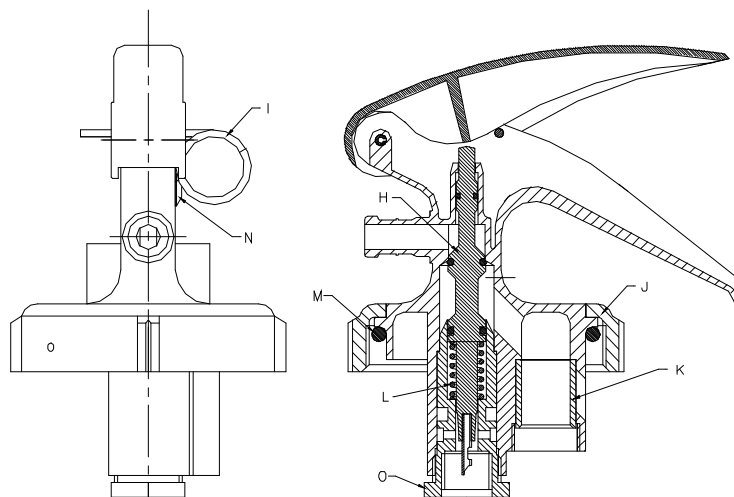
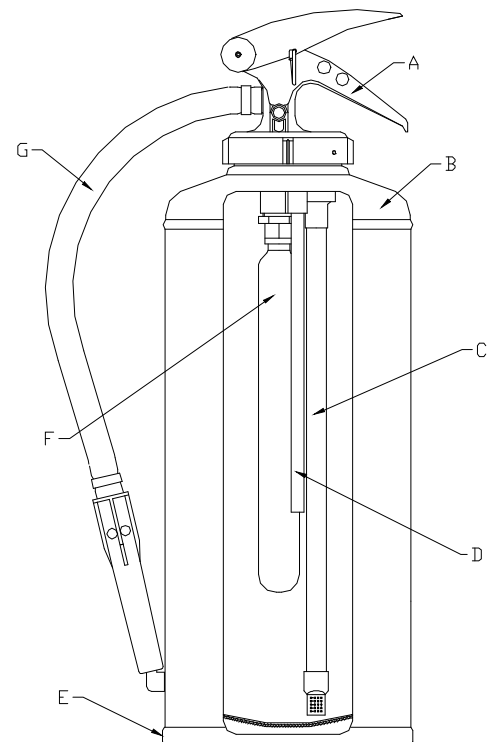
BRITANNIA 9LTR AFFF FOAM GAS CARTRIDGE EXTINGUISHER

ADDITIONAL SPECIFICATIONS

Gas Cartridge	75gram CO ²
Operating Pressure @ 20°C	12bar
Test Pressure (PT)	26bar
Maximum Allowable Pressure (PS)	18bar
Minimum Burst Pressure	55bar
Cylinder Material	1.6mm Thick Mild steel to EN 10111 - DD12
Operating Head material	Zinc Alloy to EN 1774 - ZnA14 (ZL3)
Hose	EPDM Synthetic rubber
Finish	Polyester Powder Paint

COMPONENT PARTS

ITEM	DESCRIPTION	PART No.
A	Headcap Assy	BRH0010C
B	Welded Body Assy	BODYL
C	Syphon Tube Assy	BR0406
D	Gas Tube	BR0675
E	Skirt Ring	BRH0460
F	Cartridge	C75
G	Hose Assy	BR0502
H	Valve Control Spindle Assy	BRH0400
I	Safety Pin	BRH0180
J	Nutring	BRH0105
K	Sleeve	BRH0150
L	Spring	BRH0200
M	O Ring	BRH0230
N	Service Indicator Stud	BRH0185
O	Control Spindle Insert	BRH0120
-	Pull Tight Seal (not shown)	BRH0175
-	Wall Bracket (not shown)	BRH0195
-	Transport Brkt & Strap (not shown)	BRH0310
-	AFFF foam refill (not shown)	AFFF09
-	Tool Kit (C & Ring spanners)	TK100



HEADCAP GENERAL ASSEMBLY



LICENCE NO. KM 6832



0086



Britannia Fire Ltd

Ashwellthorpe Industrial Estate, Ashwellthorpe, Norwich, NR16 1ER, ENGLAND

Tel: +44 (0) 1508 488416 Fax: +44 (0) 1508 481753

www.britannia-fire.co.uk